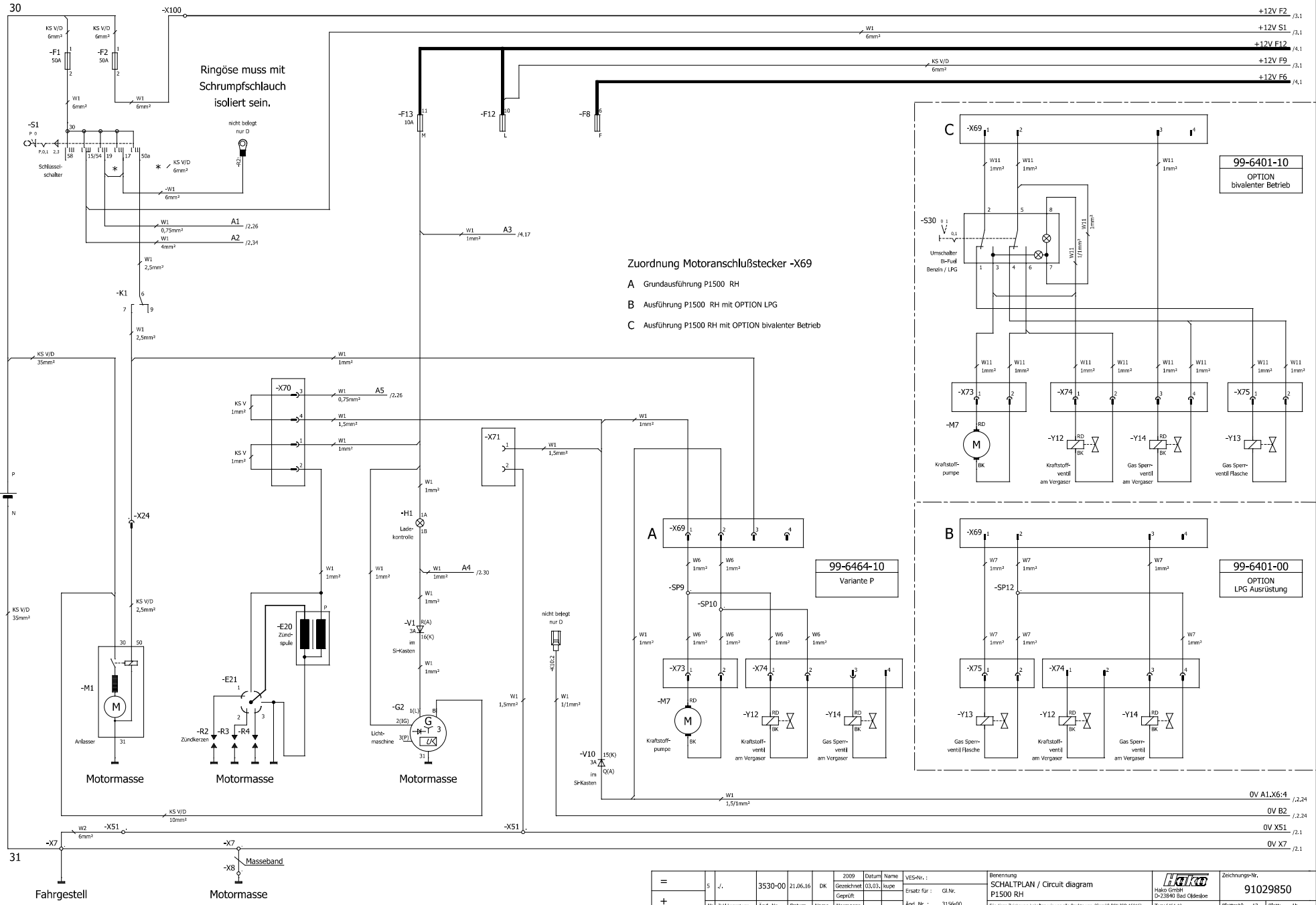


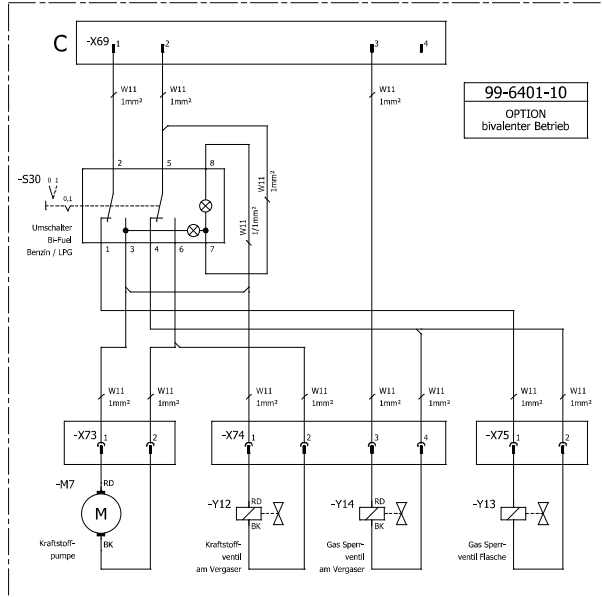
PLOT DATUM : 22.06.2016 B-Stand : 006 / DK / 21.06.16 [010 / DK / 22.06.16]

| | | | | | | | | | | | | | | |
|---|-----|------|-----------|----------|-------|------|-----------|-----------|----------|---|------------------------------|----------|-----------------------------------|----------------------------|
| = | s | j. | 3530-00 | 21.06.16 | DK | 2009 | Datum | Name | VES-Nr.: | Berechnung | SCHALTPLAN / Circuit diagram | D1500 RH | Hahn GmbH D-73840 Bad Oldesloe | Zeichnungs-Nr. 91029850 |
| | | | | | | | | | | | | | | |
| + | Nr. | Zahl | kennt vor | Änd.-Nr. | Datum | Name | Normgepr. | Ang. Nr.: | 3196-00 | Für diese Zeichnung behalten wir uns alle Rechte vor. (Gemäß DIN ISO 15016) | | | | |
| | | | | | | | | | | | | | | |

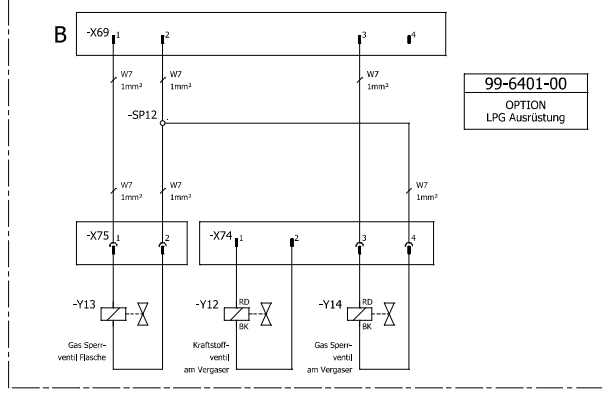


Ringöse muss mit Schumpfschlauch isoliert sein.
nicht belegt nur D

Zuordnung Motoranschlusstecker -X69
 A Grundausrüstung P1500 RH
 B Ausführung P1500 RH mit OPTION LPG
 C Ausführung P1500 RH mit OPTION bivalenter Betrieb



99-6401-10
OPTION
bivalenter Betrieb



99-6401-00
OPTION
LPG Ausrüstung

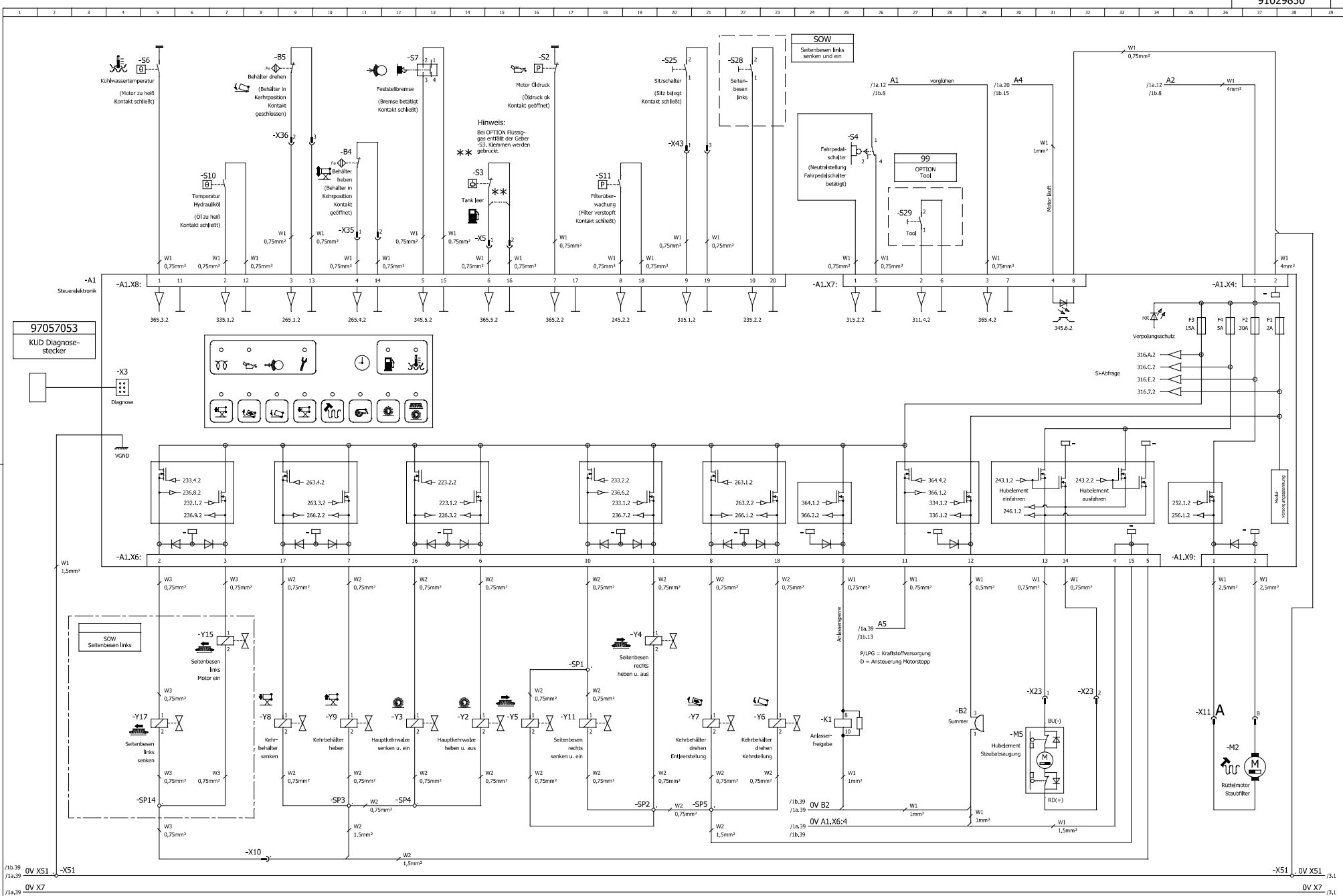
99-6464-10
Variante P

0V A1.X6:4 /2,24
0V B2 /2,24
0V X51 /2,1
0V X7 /2,1

PLOTDATUM : 22.06.2016 B-Stand : 006 / DK / 21.06.16 [010 / DK / 22.06.16]

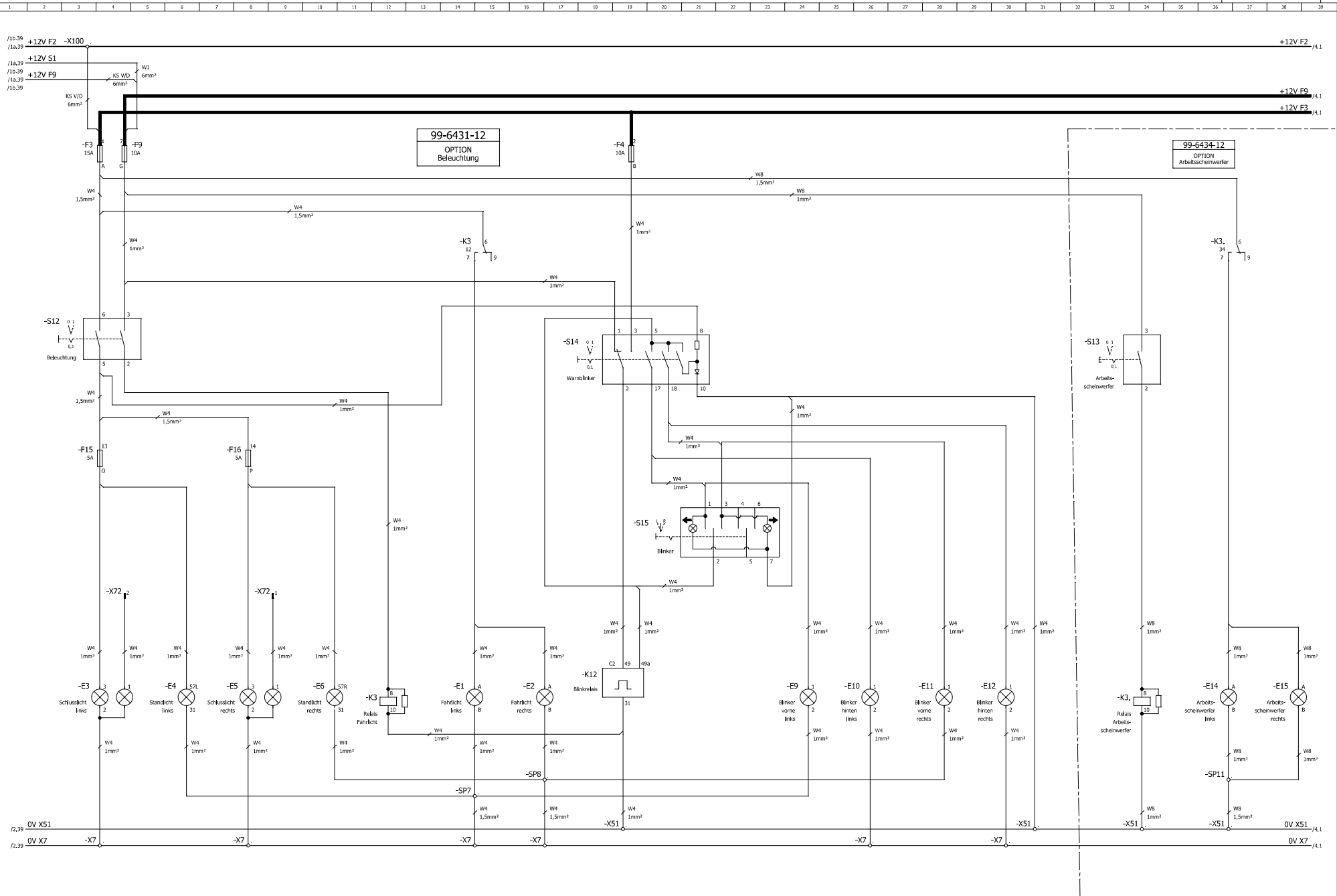
A1

| | | | | | | | | | | | |
|---|---|-----|-----------------|----------|-------|------|------------|----------|----------|--|----------------------------|
| = | 5 | J. | 3530-00 | 21.06.16 | DK | 2009 | Datum | Name | VES-Nr.: | Berennung | Zeichnung-Nr. 91029850 |
| | + | Nr. | Zufl kennr wert | Änd.-Nr. | Datum | Name | Gezeichnet | 03.03.16 | Geprüft | Ersatz für : GI Nr. | |
| | | | | | | | | | | Für diese Zeichnung behalten wir uns alle Rechte vor. (Gemäß DIN ISO 15011) Typ:6464-10 | Blattzahl: 12 Blatt: 1b |



PLOT DATUM : 22.06.2016 B-Stand : 006 / DK / 21.06.16 [010 / DK / 22.06.16]

| | | | | | | | | | | | | | |
|---|-----|----------------|----------|----------|------|------------|------------|---------|--|-----------|------------------------------|--|-----------------------------------|
| = | s | j. | 3530-00 | 21.06.16 | DK | 2009 | Datum | Name | VES-Nr. : | Benennung | SCHALTPLAN / Circuit diagram | Hako GmbH D-23840 Bad Oldesloe Typo 6464-30-10 | Zeichnungs-Nr. 91029850 |
| | | | | | | Gezeichnet | 03.03. | kupe | Ersatz für : | | | | |
| + | Nr. | Zahl kommt vor | Änd.-Nr. | Datum | Name | Normspr. | Änd. Nr. : | 3196-00 | Für diese Zeichnung behalten wir uns alle Rechte vor. (Gemäß DIN ISO 15016) Typo 6464-30-10 | | | | |

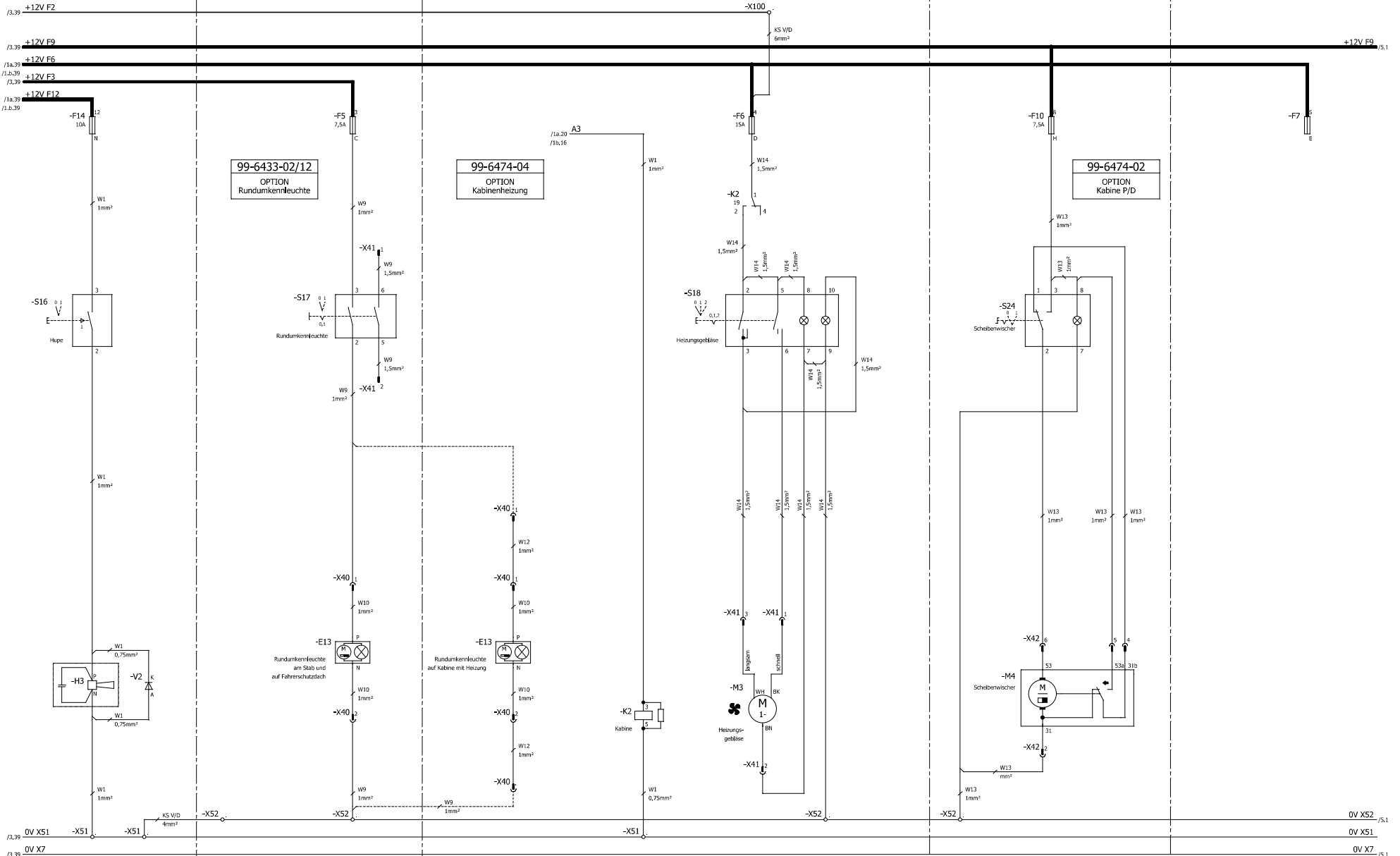


99-6431-12
OPTION
Beleuchtung

99-6434-12
OPTION
Arbeits-
scheinwerfer

PLOTDATUM : 22.06.2016 B-Stand : 006 / DK / 21.06.16 [010 / DK / 22.06.16]

| | | | | | | | | | | | | |
|---|---|----|---------|----------------|----------|------------|--------|-----------|---------------------|---|---|-----------------------------------|
| = | 5 | j. | 3530-00 | 21.06.16 | DK | 2009 | Datum | Name | VES-Nr. : | Benennung SCHALTPLAN / Circuit diagram P/D1500 RH | Hako GmbH D-23840 Bad Oldesloe Typ:6464-30/10 | Zeichnungs-Nr. 91029850 |
| | | | | | | Gezeichnet | 03.03. | kupe | Ersatz für : CI Nr. | | | |
| + | | | Nr. 4 | Zahl kommt vor | And.-Nr. | Datum | Name | Normgepr. | Ang. Nr. : | 3196-00 | For diese Zeichnung behalten wir uns alle Rechte vor. (Gemäß DIN ISO 16016) | |



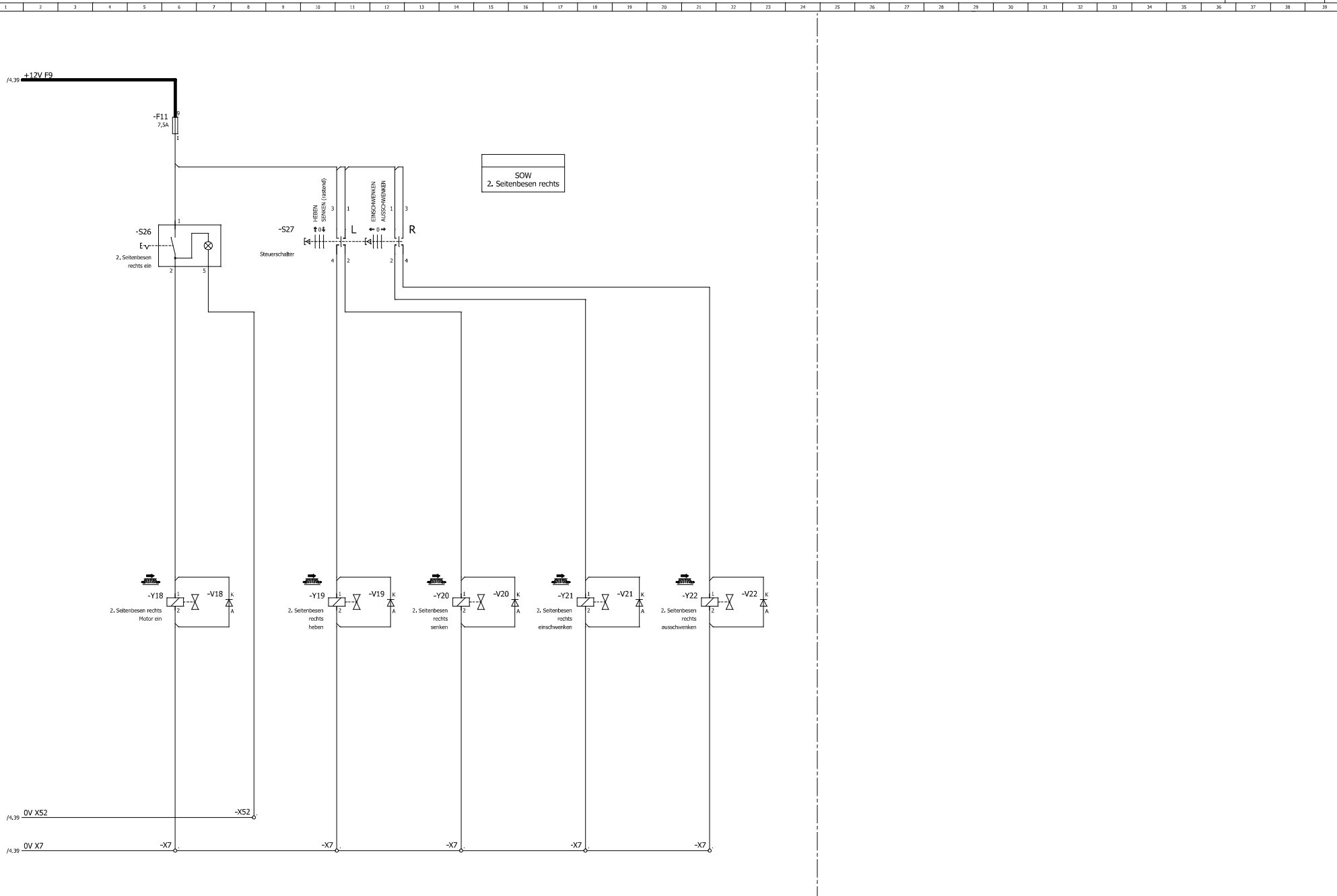
99-6433-02/12
OPTION
Rundumkennleuchte

99-6474-04
OPTION
Kabinenheizung


99-6474-02
OPTION
Kabinen P/D

PLOT DATUM : 22.06.2016 B-Stand : 006 / DK / 21.06.16 [010 / DK / 22.06.16]

| | | | | | | | | | | | | |
|---|---|----|---------|----------|-----------|------------|--------|-------|---------------------|---|---|---|
| = | 5 | j. | 3530-00 | 21.06.16 | DK | 2009 | Datum | Name | VES-Nr.: | Benennung SCHALTPLAN / Circuit diagram P/D1500 RH | Hilti GmbH D-73840 Bad Oldesloe Typ: 6464-30/10 | Zeichnung-Nr. 91029850 |
| | | | | | | Gezeichnet | 03.03. | Kupee | Ersatz für : CI Nr. | | | |
| + | | | Nr. | Zahl | kennt vor | And.-Nr. | Datum | Name | Normgepr. | Ang. Nr.: | 3196-00 | For diese Zeichnung behalten wir uns alle Rechte vor. (Gemäß DIN ISO 16016) |



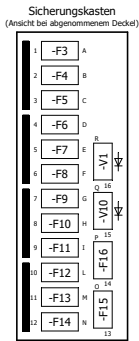
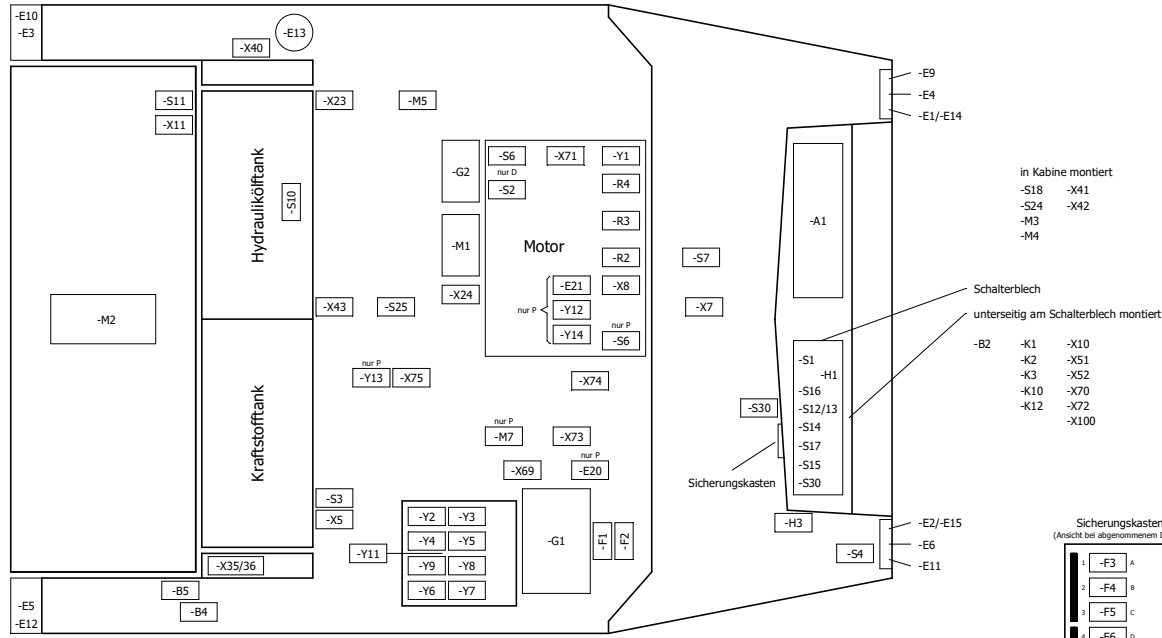
PLOT DATUM : 22.06.2016 B-Stand : 006 / DK / 21.06.16 [010 / DK / 22.06.16]

| | | | | | | | | | | | | |
|---|---|-----|----------------|----------|-------|------|-----------|---|-------------------------|---|---|----------------------------|
| = | 5 | j. | 3530-00 | 21.06.16 | DK | 2009 | Datum | Name | VES-Nr. : | Benennung SCHALTPLAN / Circuit diagram P/D1500 RH |  Hainz GmbH D-23840 Bad Oldesloe | Zeichnungs-Nr. 91029850 |
| | + | Nr. | Zähl kommt vor | Änd.-Nr. | Datum | Name | Normgepr. | Gezeichnet 03.03.10 Geprüft kupe | Ersatz für : Gf. Nr. | | | |

| Ref. | Description | Part-No. | Path |
|------|---------------------------------------|----------|-------|
| A1 | Controller with Dashboard | 90567272 | /2.5 |
| B2 | Buzzer | 90324260 | /2.29 |
| B4 | Proximity Switch, Hopper lift | 97063135 | /2.11 |
| B5 | Proximity Switch, Hopper turn | 97066674 | /2.9 |
| E1 | Head Light, left (OPTION) | 90507369 | /3.14 |
| E2 | Head Light, right (OPTION) | 90507369 | /3.17 |
| E3 | Rear, Brake Light, left (OPTION) | 90498759 | /3.4 |
| E4 | Side Light, left (OPTION) | 90514480 | /3.6 |
| E5 | Rear, Brake Light, right (OPTION) | 90498759 | /3.8 |
| E6 | Side Light, right (OPTION) | 90498759 | /3.10 |
| E9 | Flasher, front left (OPTION) | 90498742 | /3.24 |
| E10 | Flasher, rear left (OPTION) | 90519901 | /3.26 |
| E11 | Flasher, front right (OPTION) | 90498742 | /3.28 |
| E12 | Flasher, rear right (OPTION) | 90519901 | /3.30 |
| E13 | Beacon at Bar | 90433963 | /4.11 |
| E13 | Beacon at Overhead Pr. (OPTION) | | |
| E13 | Beacon at Cab (OPTION) | | /4.15 |
| E14 | Working Light, left (OPTION) | 90507369 | /3.36 |
| E15 | Working Light, right (OPTION) | 90507369 | /3.38 |
| F3 | Fuse 15A, Lights (OPTION) | 19731090 | /3.4 |
| F4 | Fuse 10A, Hazzard Light (OPTION) | 19731082 | /3.19 |
| F5 | Fuse 7.5A, Beacon (OPTION) | 19731066 | /4.11 |
| F6 | Pre-Fuse 30A, Heater/A/C (OPTION) | 19731157 | /4.22 |
| F7 | Fuse, Reserve | | /4.37 |
| F9 | Fuse 10A, Flasher (OPTION) | 19731082 | /3.4 |
| F10 | Fuse 7.5A, Wiper (OPTION) | 19731066 | /4.30 |
| F11 | Fuse 7.5A 2, Side Broom, right (SOW) | 19731066 | /5.6 |
| F14 | Fuse 10A, Horn | 19731082 | /4.3 |
| F15 | Fuse 5A, Side/Rear Light, lh (OPTION) | 19731181 | /3.4 |
| F16 | Fuse 5A, Side/Rear Light, rh (OPTION) | 19731181 | /3.8 |
| H3 | Horn | 90422619 | /4.3 |
| K1 | Relay, Starter Release | 90471103 | /2.25 |
| K2 | Relay, Cab | 90471103 | /4.19 |
| K3 | Relay Head Lights (OPTION) or | 90471103 | /3.12 |

| Ref. | Description | Part-No. | Path |
|------|--------------------------------------|--------------|-------|
| K3 | Relay Working Lights (OPTION) | | /3.34 |
| K12 | Flasher Relay (OPTION) | 92052901 | /3.18 |
| M2 | Shaker Motor (Dust Filter) | 90520164 | /2.37 |
| M3 | Heater Fan (OPTION) | 90263690 | /4.22 |
| M4 | Wiper (OPTION) | 90358070 | /4.30 |
| M5 | Lifting Element (Dust Extraction) | 90632136 | /2.31 |
| S2 | Switch, Engine Oil Pressure | Leif. KUBOTA | /2.17 |
| S3 | Switch, Fuel Tank empty | 90456674 | /2.15 |
| S4 | Neutral Switch, Travel Pedal | 90306002 | /2.26 |
| S6 | Switch, Coolant Temperatur | Leif. KUBOTA | /2.5 |
| S7 | Switch, Parking Brake | 90575291 | /2.13 |
| S10 | Switch, Hydraulic Temperatur | 90678642 | /2.7 |
| S11 | Switch, Dust Filter Clogging | 90677438 | /2.18 |
| S12 | Switch, Lights (OPTION) | 19256098 | /3.4 |
| S13 | Switch, Working Lights (OPTION) | 19256155 | /3.34 |
| S14 | Switch, Hazzard Lights (OPTION) | 19255546 | /3.19 |
| S15 | Switch, Flasher (OPTION) | 19256387 | /3.21 |
| S16 | Switch, Horn | 19256056 | /4.3 |
| S17 | Switch, Beacon (OPTION) | 19256080 | /4.11 |
| S18 | Switch, Heater Fan (OPTION) | 19256437 | /4.21 |
| S24 | Switch, Wiper (OPTION) | 19255744 | /4.30 |
| S25 | Seat Switch | 90373119 | /2.20 |
| S26 | Switch Engine On, 2, SB, right (SOW) | | /5.6 |
| S27 | Switch, 2, Side Broom, right (SOW) | | /5.11 |
| S28 | Switch, Side Broom, left (SOW) | | /2.22 |
| S29 | Switch, Tool (OPTION) | | /2.27 |
| V2 | Diode | | /4.5 |
| V18 | Diode (SOW) | | /5.7 |
| V19 | Diode (SOW) | | /5.12 |
| V20 | Diode (SOW) | | /5.16 |
| V21 | Diode (SOW) | | /5.19 |
| V22 | Diode (SOW) | | /5.23 |
| Y2 | Solenoid Valve, Main Broom lift/off | COMATRQL | /2.14 |
| Y3 | Solenoid Valve, Main Broom lower/on | COMATRQL | /2.12 |

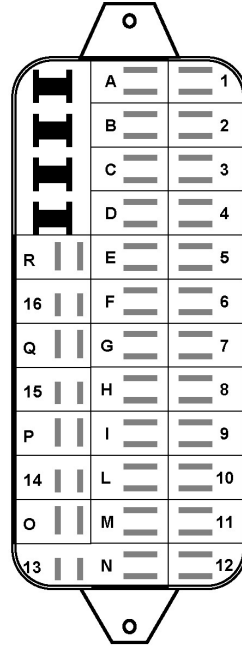
| Ref. | Description | Part-No. | Path | Ref. | Description | Part-No. | Path |
|------|--|----------|------|--------|-------------------------------------|----------|--------|
| X5 | Connecting Plug, Fuel Switch | 2 pin | | SP11 | Splice | | /3,36 |
| X7 | Ground Connection Vehicle Chassis | M8 pin | | SP12 | Splice | | /1b,26 |
| X8 | Ground Connection, Engine Block | pin | | SP13 | Splice | | /2,5 |
| X10 | Connector, Ground Side Broom, left | 1 pin | | SP14 | Splice | | /2,5 |
| X11 | Connecting Plug, Shaker Motor | 2 pin | | W1 | Harness -W1 | 97108567 | |
| X23 | Connecting Plug, Lifting Element | 2 pin | | W2 | Harness -W2 | 97108559 | |
| X24 | Cut-Off Plug | 1 pin | | W3 | Harness -W3 (OPTION SB lh) | | |
| X35 | Connecting Plug, Prox. Sw. Hopper lift | 3 pin | | W4 | Harness -W4 (OPTION Lights) | 97108542 | |
| X36 | Connecting Plug, Prox. Sw. Hopper turn | 3 pin | | W5 | Harness -W5 | 97109466 | |
| X40 | Cut-Off Plug (OPTION) | 2 pin | | W6 | Harness -W6 | 97110365 | |
| X41 | Connecting Plug, Heater (OPTION) | 4 pin | | W7 | Harness -W7 | 97110373 | |
| X42 | Connecting Plug, Wiper (OPTION) | 6 pin | | W8 | Harness -W8 (OPTION Working Lights) | 97112627 | |
| X43 | Connecting Plug, Seal Switch | 2 pin | | W9 | Harness -W9 (OPTION Beacon) | 97112635 | |
| X51 | Pin, Potential Steering Column | M6 pin | | W10 | Harness -W10 (OPTION Beacon) | 97112973 | |
| X52 | Pin, Potential Steering Column (OPT.) | M6 pin | | W11 | Harness -W11 (SOW Bl-Fuel) | 97113310 | |
| X69 | Cut-Off Plug | 4 pin | | W12 | Harness -W12 (OPTION Heater, Cab) | 97113781 | |
| X70 | Cut-Off Plug | 4 pin | | KS V/D | Wire Set Gasoline/Diesel | 97109458 | |
| X71 | Connecting Plug, Shut-off Valve | 2 pin | | KS V | Wire Set Gasoline | 97109474 | |
| X72 | Trennstöcker | 2 pin | | | | | |
| X73 | Connecting Plug, Fuel Pump | 2 pin | | | | | |
| X74 | Connecting Plug, Fuel Valve and LPG Shut-Off Valve | 4 pin | | | | | |
| X75 | Conn. Plug, Lock Valve LPG (OPT.) | 2 pin | | | | | |
| X100 | Connecting Pin + Potential | M8 pin | | | | | |
| SP1 | Splice | | | | | | |
| SP2 | Splice | | | | | | |
| SP3 | Splice | | | | | | |
| SP4 | Splice | | | | | | |
| SP5 | Splice | | | | | | |
| SP7 | Splice | | | | | | |
| SP8 | Splice | | | | | | |
| SP9 | Splice | | | | | | |
| SP10 | Splice | | | | | | |



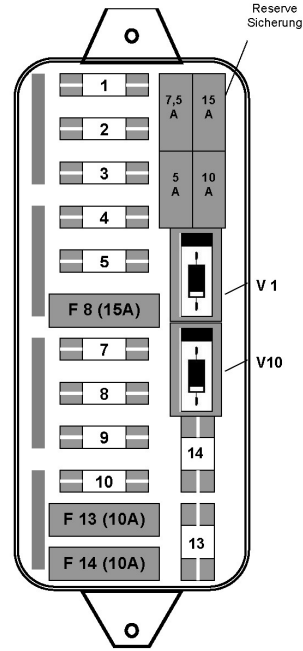
PLOTDATUM : 22.06.2016 B-Stand 006 / DK / 21.06.16 011 / DK / 22.06.16

| | | | | | | | | | | | | | |
|---|---|-----|----------------|----------|-------|------|-----------|------------|-----------|------------------------------|--|----------------------------|---------|
| = | 5 | J. | 3530-00 | 21.06.16 | DK | 2009 | Datum | Name | VES-Nr. : | Benennung | Hako GmbH D-23846 Bad Oldesloe Typ: 6464-30/10 | Zeichnungs-Nr. 91029850 | |
| | + | Nr. | Zahl kommt vor | And.-Nr. | Datum | Name | Normgegr. | Gezeichnet | 03.03. | kupe | | | Geprüft |
| | | | | | | | | | | Ersatz für: GLNr. 3156-00 | | Blattzahl: 12 Blatt: 10 | |


Ansicht von hinten
auf Steckkontakte



Ansicht von vorn
auf Sicherungen



F = Serienbestückung

| | | | | | | | | | | | | | |
|---|-----|----------------|----------|----------|------|-----------|-------|------|--------------------|---|---|----------------|--|
| = | 5 | J. | 3530-00 | 21.06.16 | DK | 2010 | Datum | Name | VES-Nr. : | Benennung |  Hako GmbH D-23845 Bad Oldesloe Typ: 6464-30/10 | Zeichnungs-Nr. | |
| + | Nr. | Zahl kommt vor | Änd.-Nr. | Datum | Name | Normgegr. | | | Ersatz für: GL.Nr. | SCHALTPLAN / Circuit diagram | | 91029850 | |
| | | | | | | | | | Änd. Nr. : | P/D1500 RH | Blattzahl: 12 Blatt: 11 | | |
| | | | | | | | | | 3156-00 | Für diese Zeichnung behalten wir uns alle Rechte vor. (Gemäß DIN ISO 14816) | | | |